



**IMMERSIV
TECHSPHERE**

we automate efforts...

ENGINEERING EXCELLENCE IN CONTAINMENT & PROCESS SOLUTIONS

Customized Design, Analysis & Automation
Services



About Us

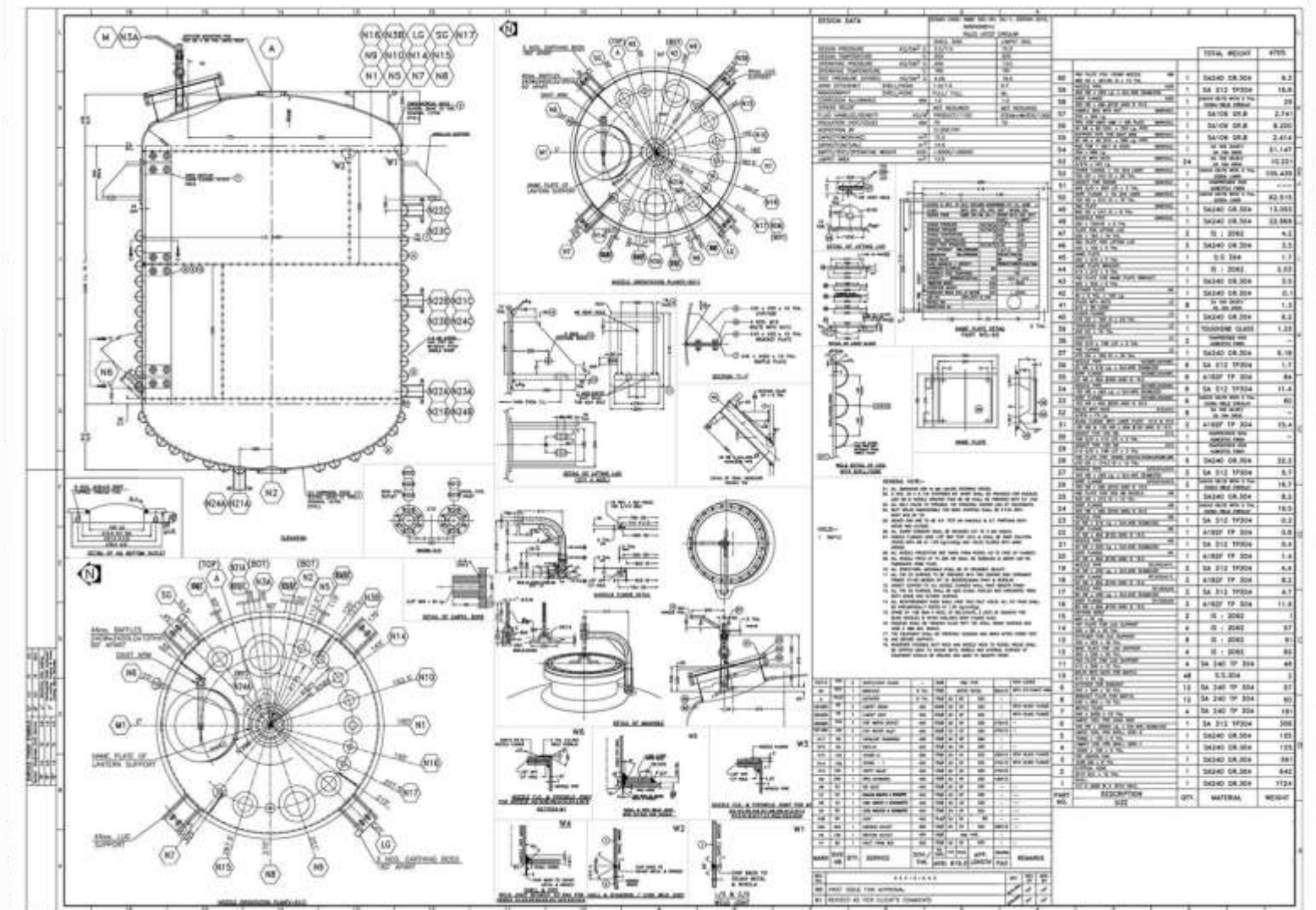


- We are a team of experienced mechanical design engineers supporting the Manufacturing, Process, Oil & Gas, Pharmaceutical, Chemical and many more industries with reliable engineering solutions.
- Our expertise includes **SolidWorks, Inventor, AutoCAD, FEA tools** and **automation platforms**, enabling us to deliver error free designs, efficient manufacturing drawings and validated engineering outcomes.
- We **design and develop** custom welding, machining and **assembly fixtures**, engineered for accuracy, repeatability, operator safety and ease of use, delivering faster setups, reduced downtime and higher overall efficiency.
- We also specialize in creating **industrial animations** and **EHS animations** that help clients visualize equipment, assembly, processes and safety procedures with clarity.
- With a strong commitment to ISO and ASME standards, we provide complete support from design through simulation, automation and documentation.



Precision Engineering through Drafting & Fabrication Drawings

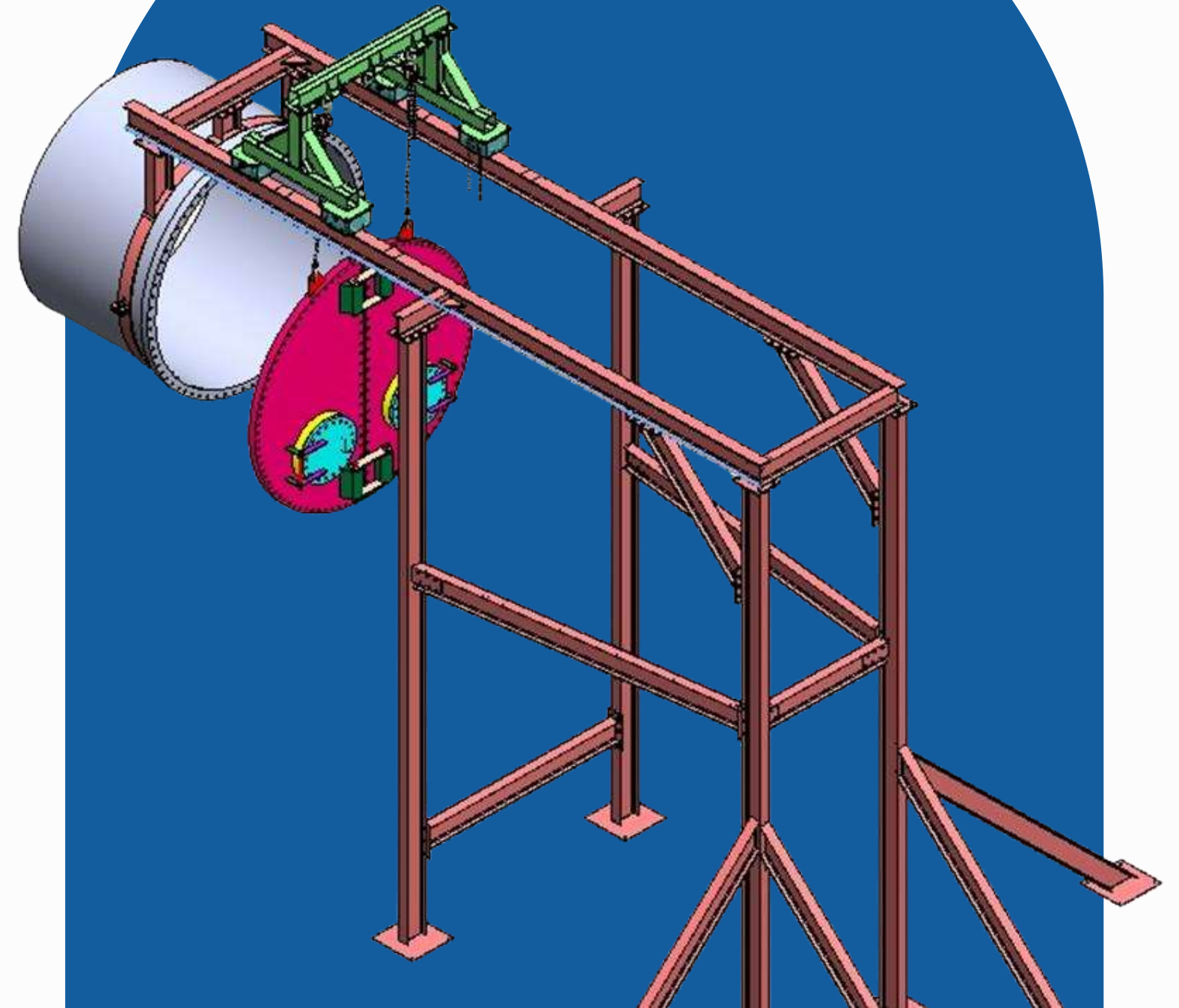
- 2D & 3D CAD deliverables: assemblies, exploded views, sections
- Fabrication-ready docs: sheet-metal flat patterns, weld details, BOMs
- Standards: ASME Y14.5 (GD&T), ISO 2768, fabrication tolerances
- Clear interface drawings for mechanical, piping, and electrical integration





Fixtures Designing: Enhancing Accuracy and Productivity

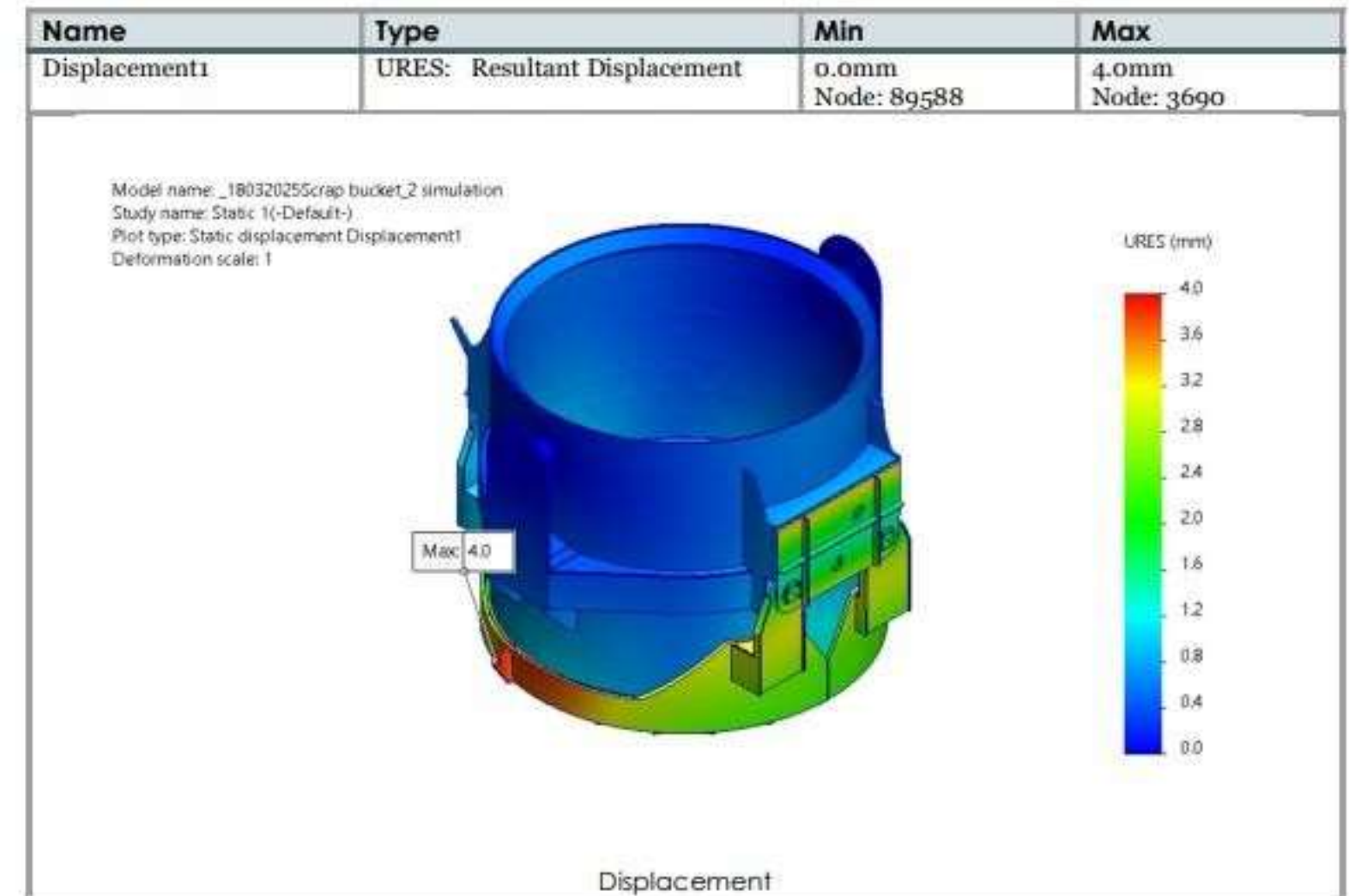
- Specialized in designing custom fixtures.
- Expertise in welding, machining and assembly fixtures that ensure precision and repeatability.
- Designs focused on operator safety, ergonomics and productivity.
- Optimized fixture solutions that reduce setup time and improve process efficiency.
- Detailed 3D models and fabrication drawings developed using SolidWorks for seamless manufacturing.



FEA Services : Ensuring Structural Integrity and Compliance



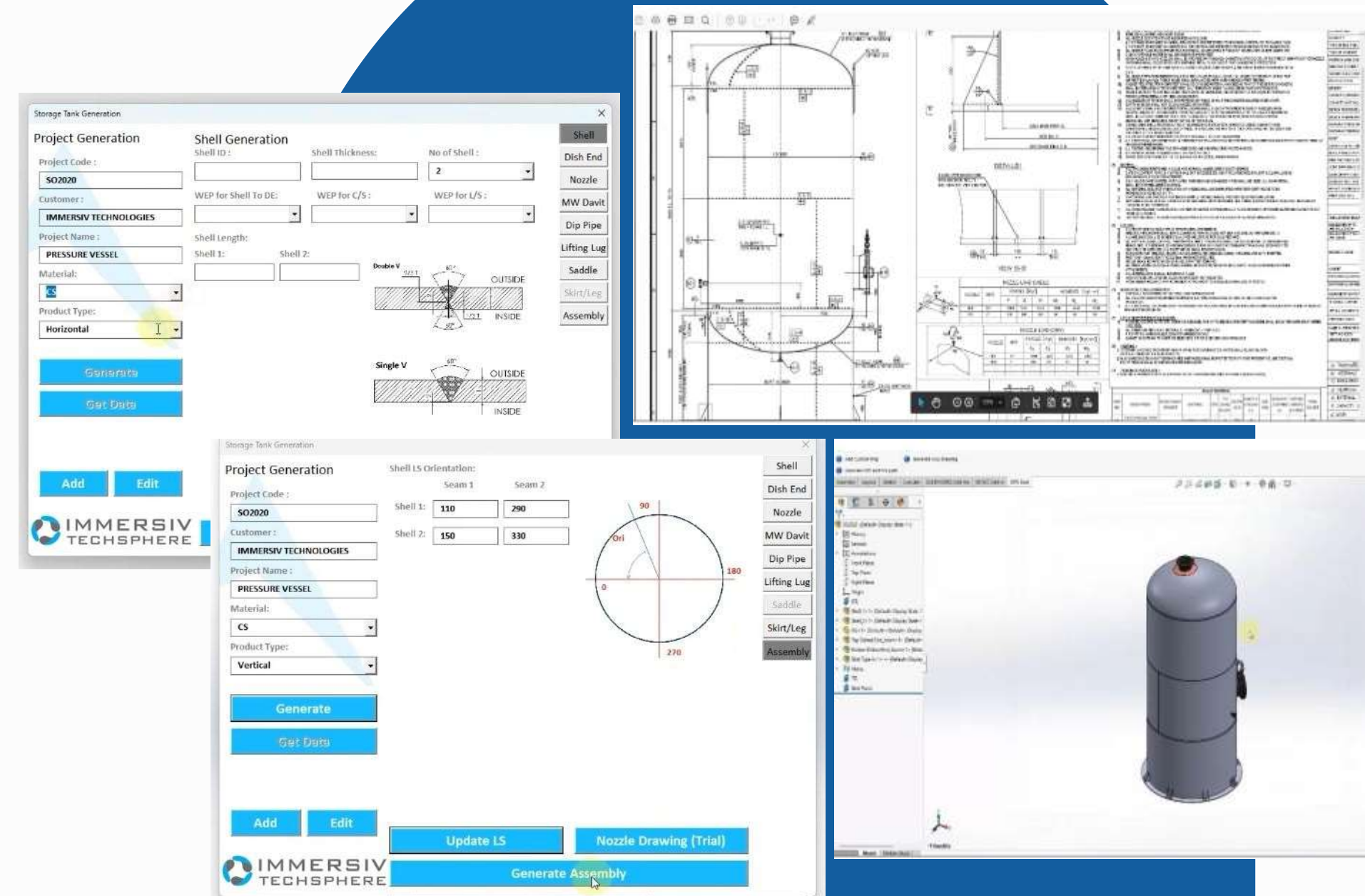
- Structural checks for isolator frames, support structures, and skids
- Static, dynamic, fatigue & buckling simulations
- Structural, Thermal & Pressure analysis
- Compliance: safety margins $>1.5-2\times$



CAD Automation Services: Accelerating Design Efficiency



- Specialized in Excel, SolidWorks & Inventor API for automation
- Development of macros and add-ins to reduce repetitive tasks
- Automated creation of part, assembly and drawing files based on design rules
- Excel VBA integration for BOM, reports and data-driven modeling
- Proven to save time, minimize errors and standardize outputs for manufacturing



vCLAVIS : Ensuring Code Compliance in Pressure Vessel & Heat Exchanger Design



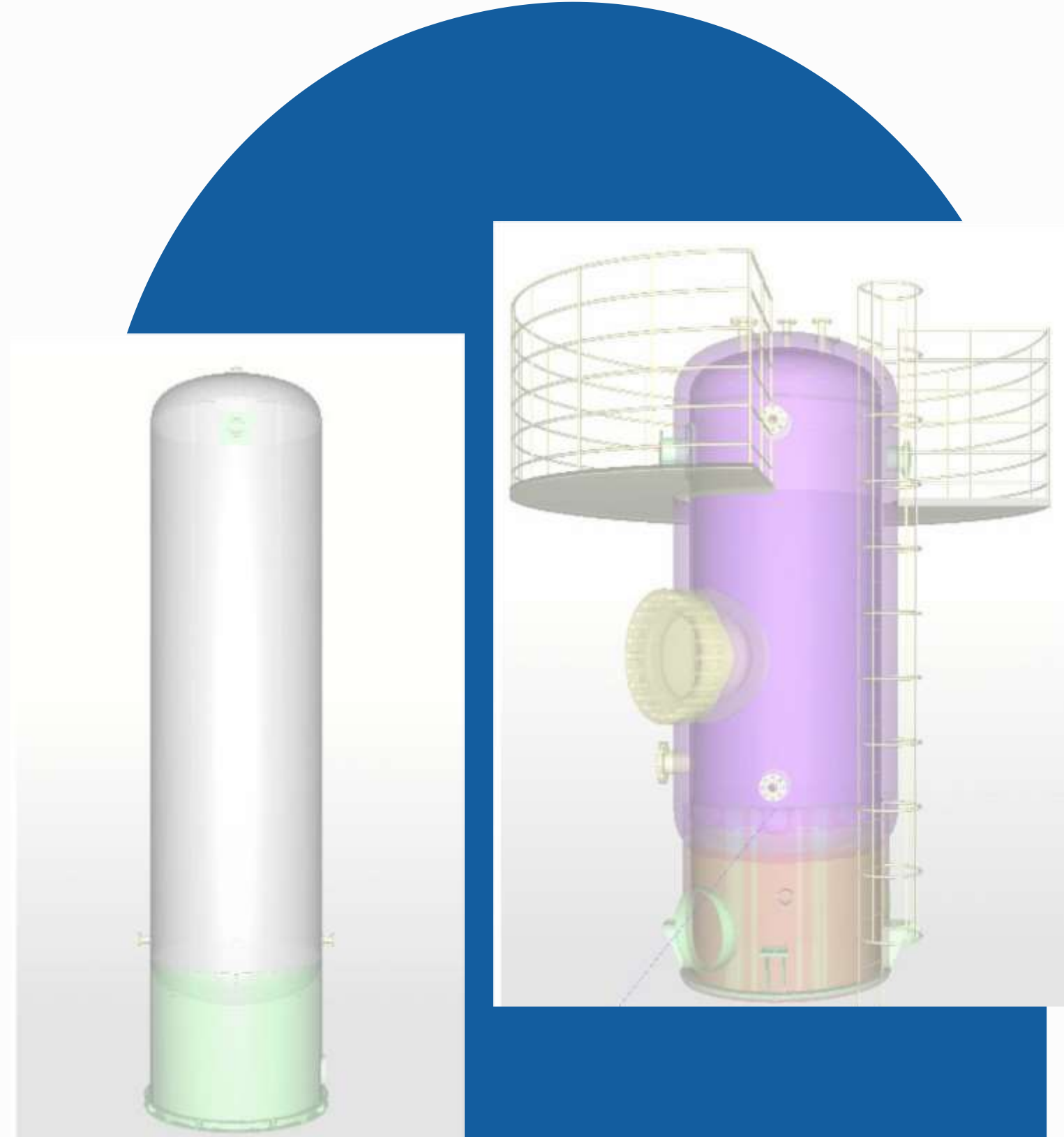
vCLAVIS is an AI-assisted, fully web-based engineering tool for the design and verification of pressure vessels and heat exchangers, enabling fast and reliable code-compliant calculations.

Key Highlights:

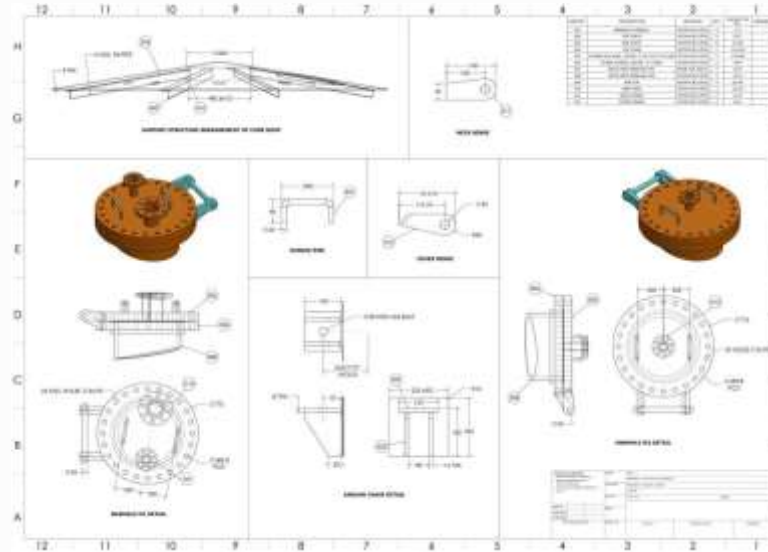
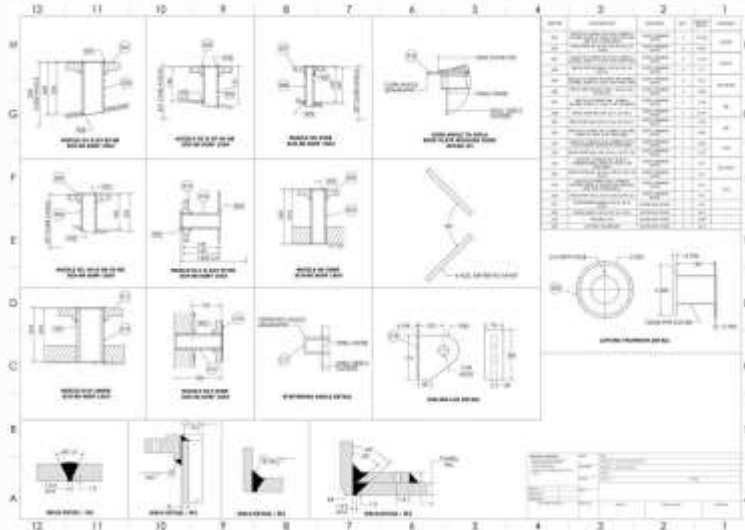
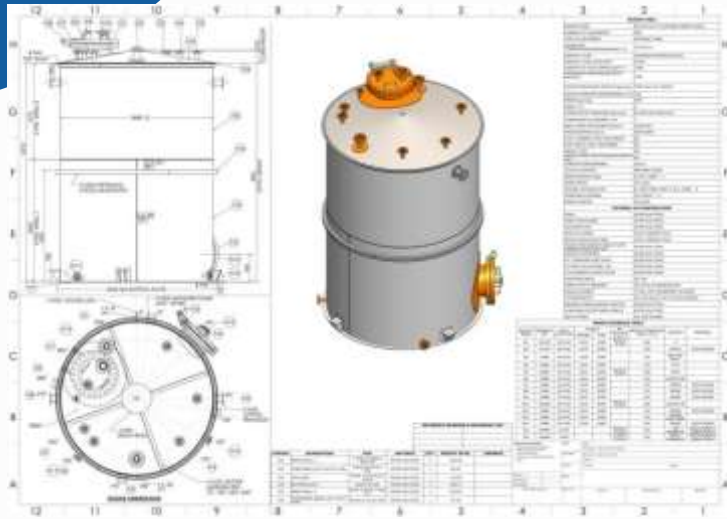
- Code compliance: ASME BPVC, EN 13445, AD 2000, PD 5500
- Shells, heads, nozzles, flanges & related components
- Automated checks with clear calculation reports
- Cloud-based access, no installation required

Our Role:

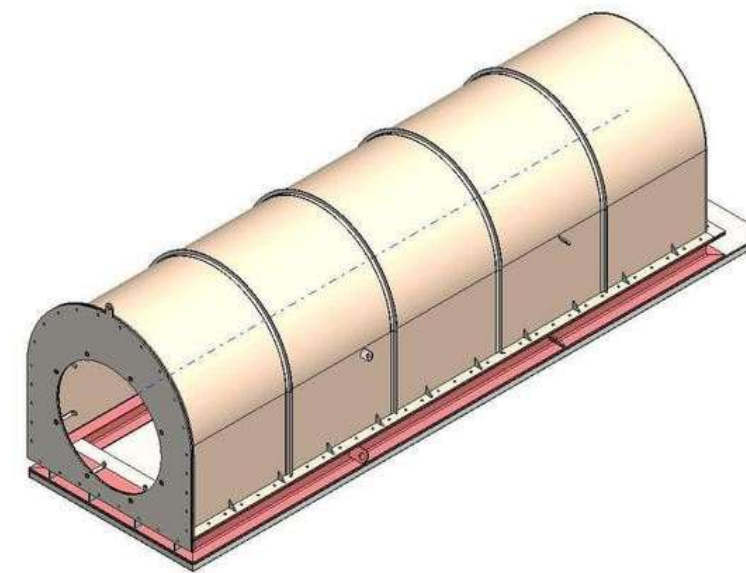
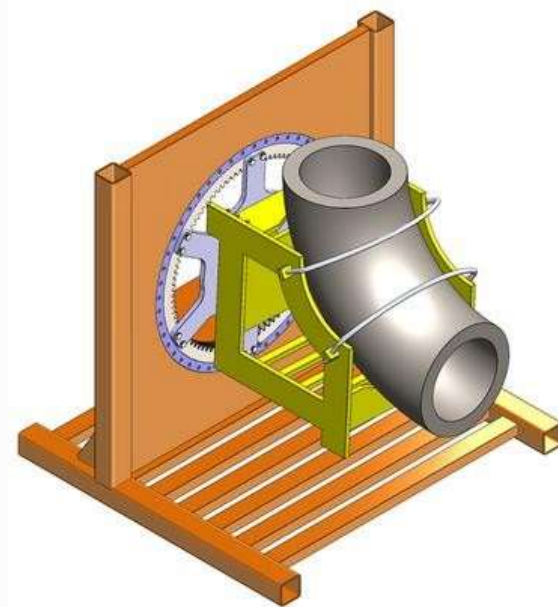
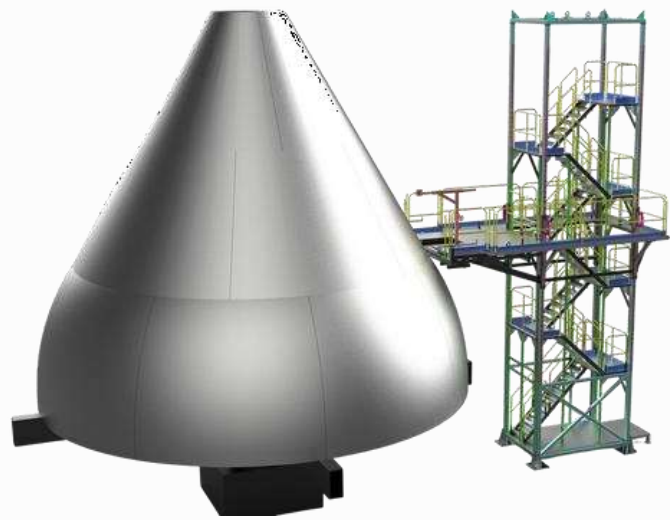
Immersiv Techsphere is an authorized reseller and technical partner, supporting onboarding, demos, and engineering workflows



Work Samples



Pressure Vessel
Drawings



Fixtures
Design

Process Visualization

[Heat Exchanger Assembly Process](#)

- [Skid Assembly](#)
- [Valve Sequence and Flow](#)
- [Sheet Metal Cabinet Assembly](#)

- [Pressure Vessel CAD Automation](#)
- [Droplet Separator CAD Automation](#)
- [Staircase model & drawing Automation](#)
- [Kitchen Cabinet Assembly & drawing Automation](#)

Design Automation



Portfolio Drive



CLIENTELE

array

MAXXIT

MARMOR HOTAVLJE GROUP

ONEPOINTE SOLUTIONS

HLS HANSON LAB SOLUTIONS

GENIE SCIENTIFIC WE BUILD FOR SAFETY & COMPLIANCE

BULLET PROOF

KULLADAL TJUGOTALSKÖKET

TECHNOMAK

TEXAS METAL WORKS

PENTA GLOBAL

AFER SIMPLY SOPHISTICATED

VECTOR CONSULTING GROUP

SFE SUSHA FOUNDERS & ENGINEERS

NAFTech Trust & Quality

Dec Group

DEVCHAND ENGINEERS PVT. LTD.

L&T Special Steels and Heavy Forgings

L&T Heavy Engineering

LEHLER

INOXCVA HISTORICALLY FUTURISTIC

INTERNATIONAL

DOMESTIC

THANK YOU!



+91 84602 55923



www.immersivtech.com



B-418,419 Monarch, Gauvrav
Path Road, Surat, Gujarat.