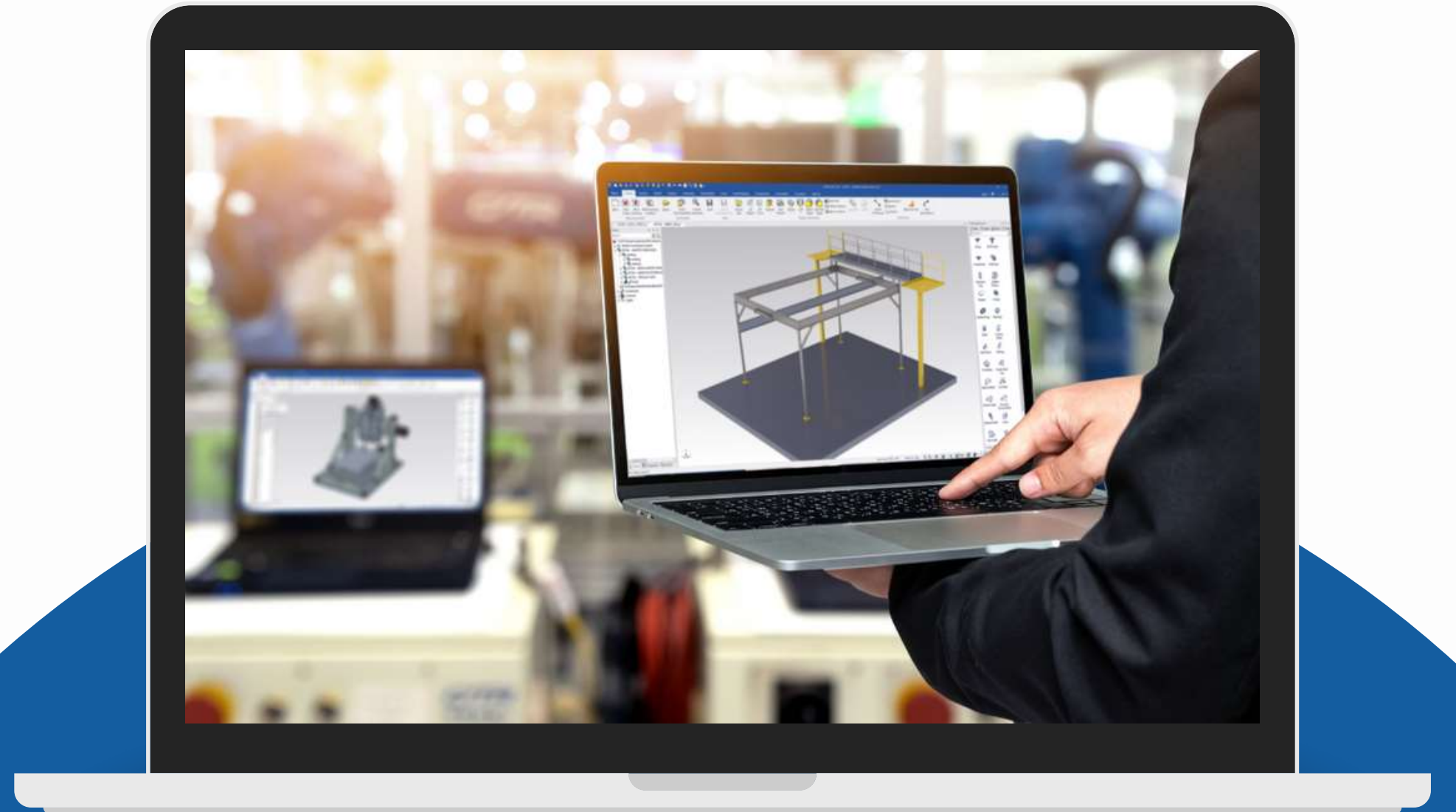
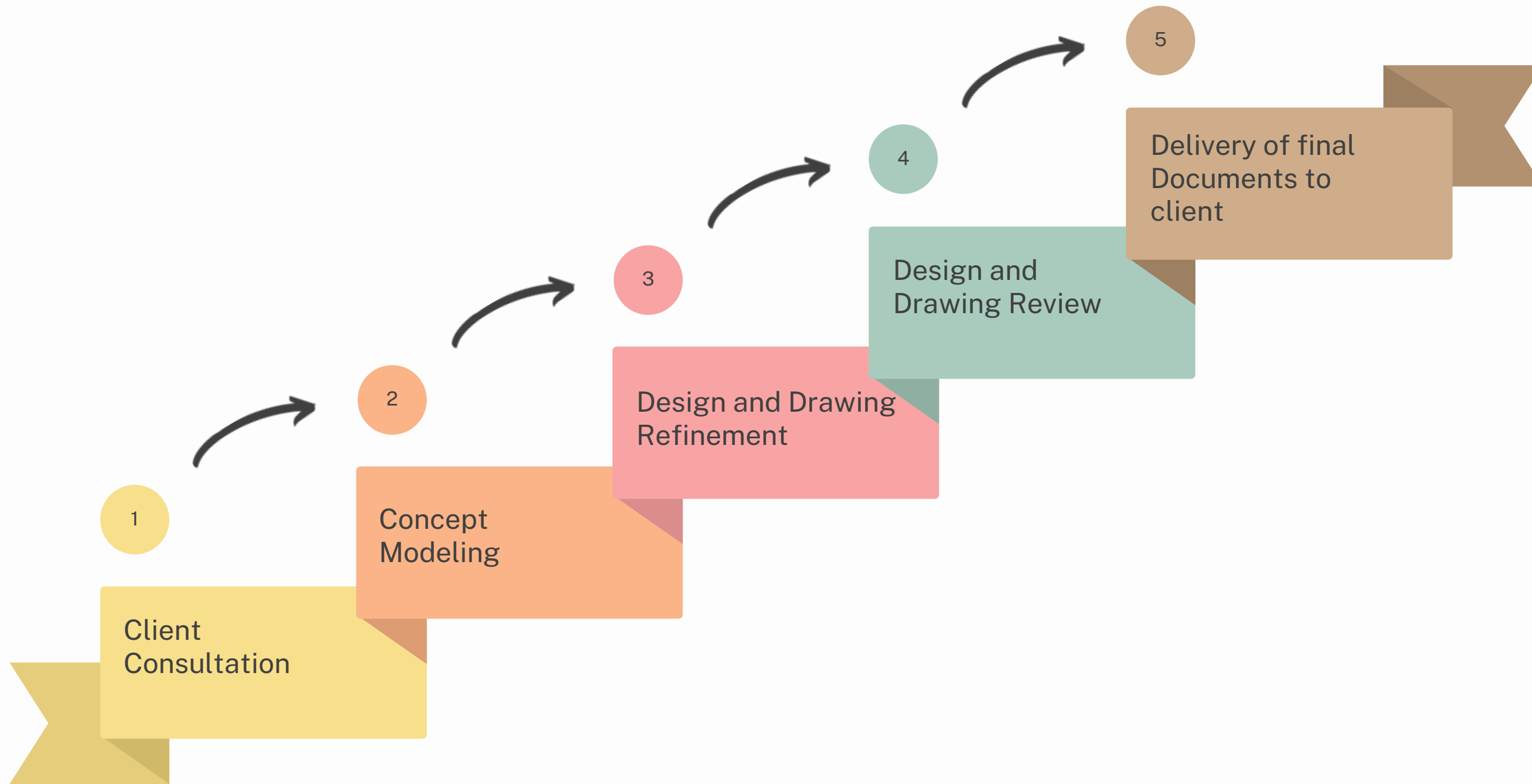




Sheet Metal Furniture Design Services

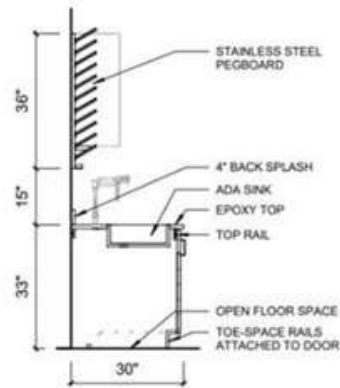


Work-flow



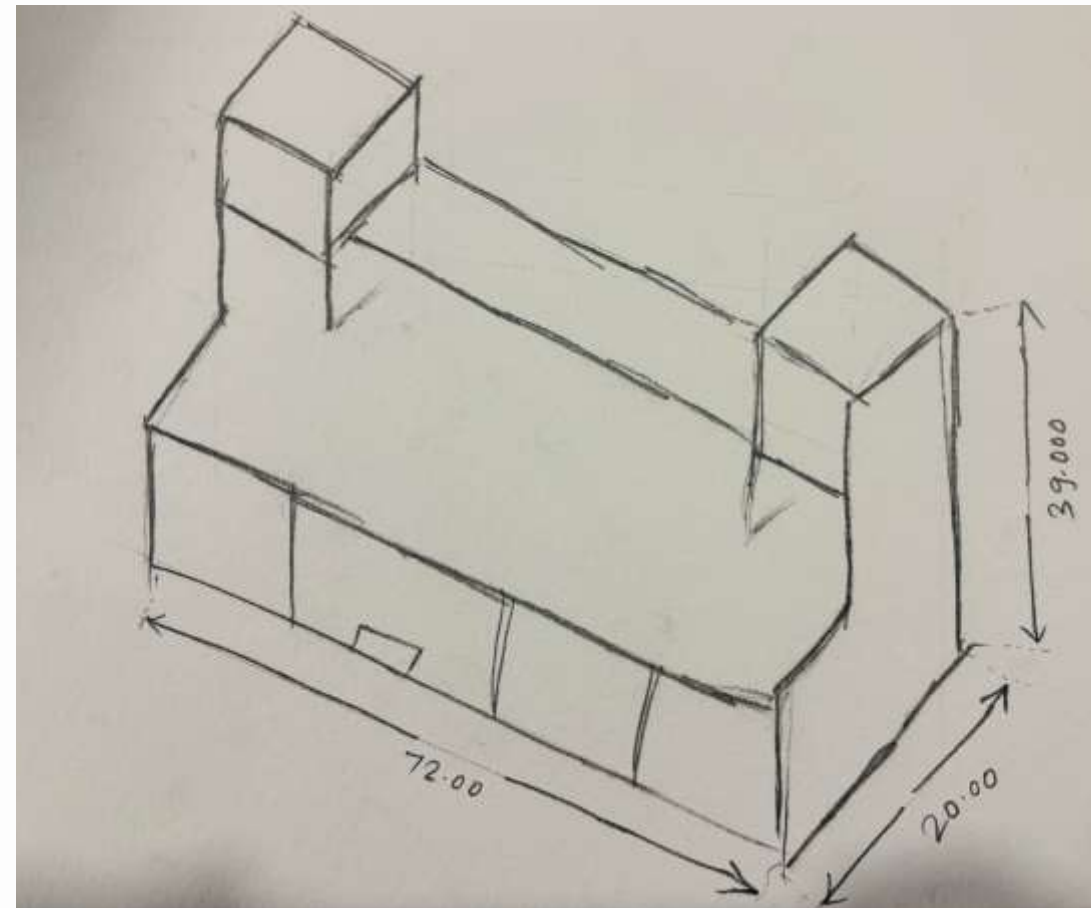
What we get from Clients?

NOTES ON CU22727-SINK-323622-W
1. ADA CABINET TO HAVE DOUBLE DOORS
TO HIDE A POU NEUTRALIZATION TANK.
2. DOORS TO HAVE A BUILT IN TOEKICK.
3. OPEN TO FLOOR (NO CABINET BOTTOM)

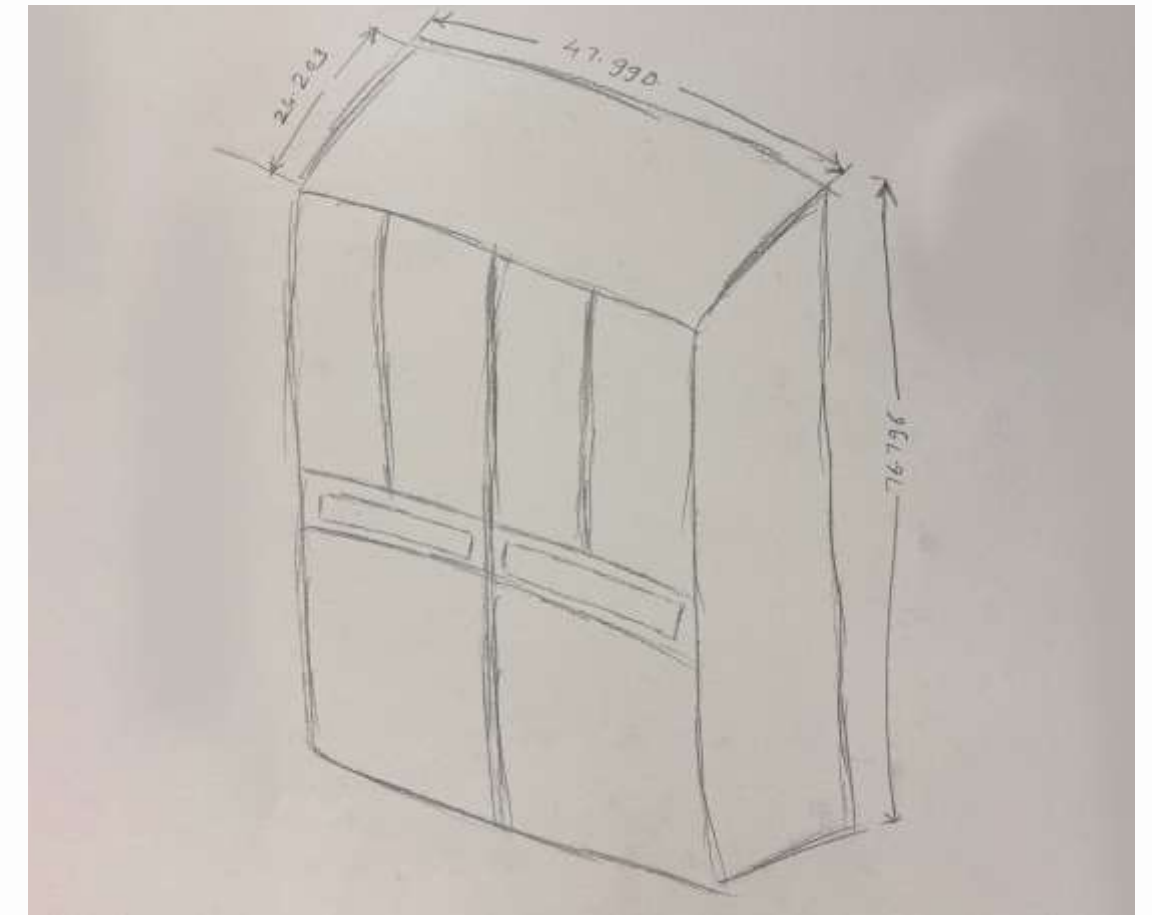


4 ADA SINK SECTION
1/2" = 1'-0"

Input for Stainless Steel Sink Cabinet



Input for Stainless Steel Wall Cabinet



Input for Stainless Steel Tall Cabinet

What we provide to our Clients?

Drawings of Stainless Steel Sink Cabinet

ITEM NO.	PART NUMBER	DESCRIPTION	QTY.
1	31831	#8 X 1/2" DRILLING SCREW	4
2	CU-22727-PLAM LEFT DOOR ASSY-211BL-TK	22727-PLAM LEFT DOOR ASSY - WITH TOEKICK	1
3	CU-22727-PLAM RIGHT DOOR ASSY-211BL-TK	22727-PLAM RIGHT DOOR ASSY - WITH TOEKICK	1
4	CU-22727-SW-323622	22727-SINK CAB WELDMENT	1
5	SB-36	SINK BACK PANEL	1
6	PLUG-875	PLASTIC PLUG FOR .875 HOLE	4
7	0139639	#8 X .625" WOOD SCREW - ZINC FINISH	4
8	CU-22727-FALSE FRONT BRACKET	22727 - FALSE FRONT BRACKET	2
9	CU-22727-PLAM-FALSE FRONT-36	22727 - PLAM FALSE FRONT	1

UNLESS OTHERWISE SPECIFIED:	DATE	ONEPOINT SOLUTIONS
DIMENSIONS ARE IN INCHES	DATE	TITLE
TOLERANCES UNLESS NOTED:	DATE	22727-SINK CABINET WITH TOE KICK ATTACHED TO DOOR
FRACTIONS 1/16"	DATE	SIZE DWG. NO.
ANGULAR MATCHES 1/8"	DATE	CU-22727-SINK-323622-W
TWO PLACE DECIMALS 0.01"	DATE	REV
THREE PLACE DECIMALS 0.001"	DATE	A-1
	DATE	SCALE 1:12 WEIGHT: SHEET 1 OF 1

ITEM NO.	PART NUMBER	DESCRIPTION	QTY.
1	31831	#8 X 1/2" DRILLING SCREW - ZINC FINISH	4
2	CU-22727-PLAM LEFT DOOR ASSY-211BL-TK	22727-PLAM LEFT DOOR ASSY - WITH TOEKICK	1
3	CU-22727-PLAM RIGHT DOOR ASSY-211BL-TK	22727-PLAM RIGHT DOOR ASSY - WITH TOEKICK	1
4	CU-22727-SW-323622	22727-SINK CAB WELDMENT	1
5	SB-36	SINK BACK PANEL	1
6	PLUG-875	PLASTIC PLUG FOR .875 HOLE	4
7	0139639	#8 X .625" WOOD SCREW - ZINC FINISH	4
8	CU-22727-FALSE FRONT BRACKET	22727 - FALSE FRONT BRACKET	2
9	CU-22727-PLAM-FALSE FRONT-36	22727 - PLAM FALSE FRONT	1

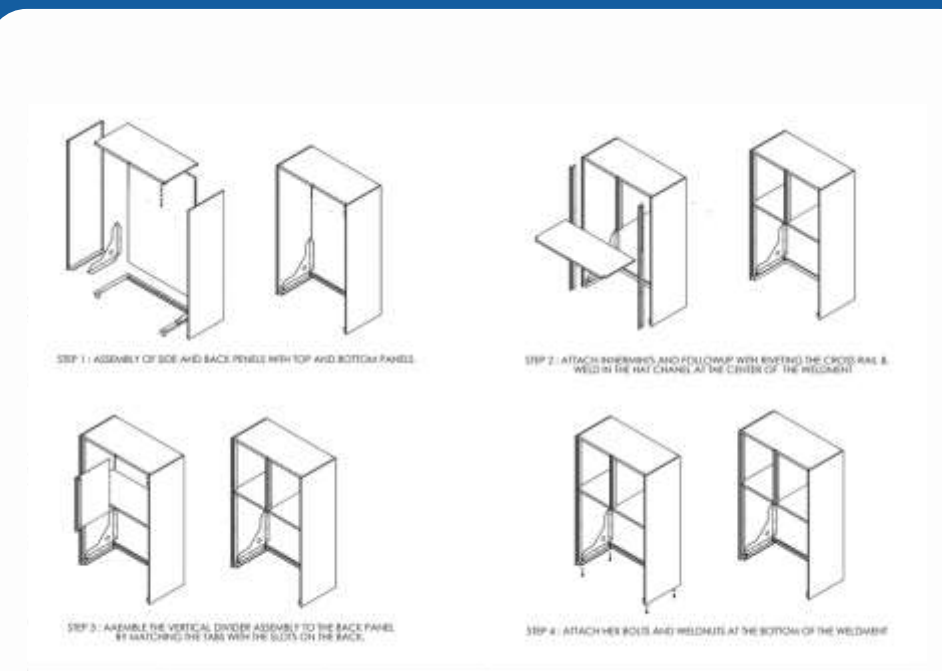
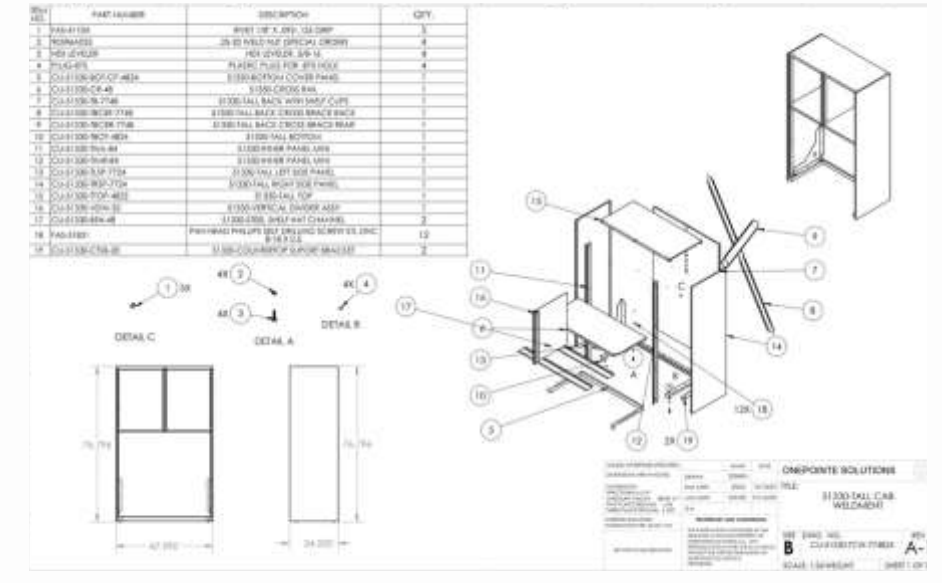
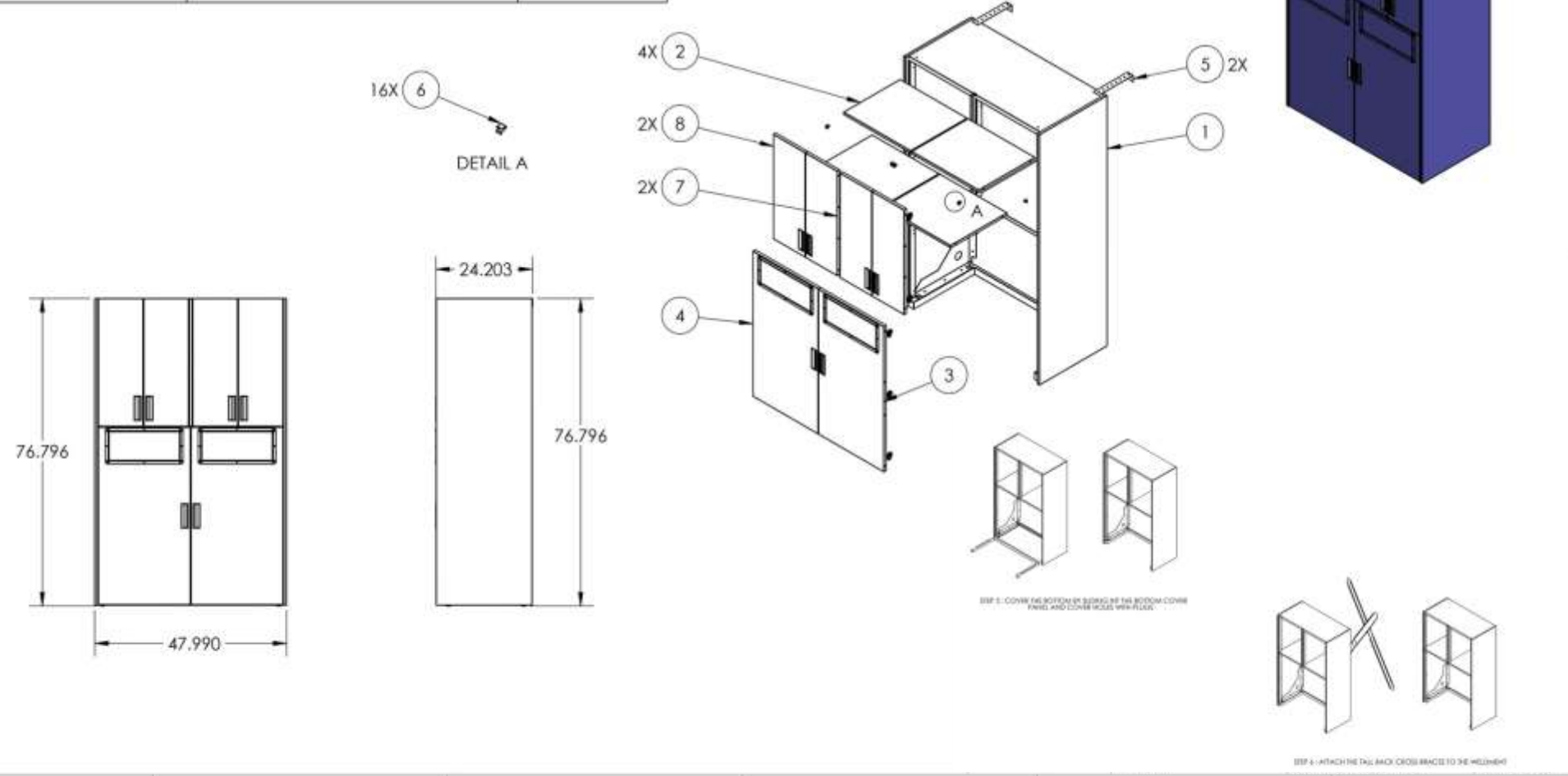
UNLESS OTHERWISE SPECIFIED:	DATE	ONEPOINT SOLUTIONS
DIMENSIONS ARE IN INCHES	DATE	TITLE
TOLERANCES UNLESS NOTED:	DATE	22727-PLAM LEFT DOOR ASSY WITH TOEKICK
FRACTIONS 1/16"	DATE	SIZE DWG. NO.
ANGULAR MATCHES 1/8"	DATE	CU-22727-PLAM-323622-W
TWO PLACE DECIMALS 0.01"	DATE	REV
THREE PLACE DECIMALS 0.001"	DATE	A-1
	DATE	SCALE 1:12 WEIGHT: SHEET 1 OF 1

ITEM NO.	PART NUMBER	DESCRIPTION	QTY.
1	31831	#8 X 1/2" DRILLING SCREW	4
2	CU-22727-PLAM LEFT DOOR ASSY-211BL-TK	22727-PLAM LEFT DOOR ASSY - WITH TOEKICK	1
3	CU-22727-PLAM RIGHT DOOR ASSY-211BL-TK	22727-PLAM RIGHT DOOR ASSY - WITH TOEKICK	1
4	CU-22727-SW-323622	22727-SINK CAB WELDMENT	1
5	SB-36	SINK BACK PANEL	1
6	PLUG-875	PLASTIC PLUG FOR .875 HOLE	4
7	0139639	#8 X .625" WOOD SCREW - ZINC FINISH	4
8	CU-22727-FALSE FRONT BRACKET	22727 - FALSE FRONT BRACKET	2
9	CU-22727-PLAM-FALSE FRONT-36	22727 - PLAM FALSE FRONT	1

UNLESS OTHERWISE SPECIFIED:	DATE	ONEPOINT SOLUTIONS
DIMENSIONS ARE IN INCHES	DATE	TITLE
TOLERANCES UNLESS NOTED:	DATE	22727-SINK CAB WELDMENT
FRACTIONS 1/16"	DATE	SIZE DWG. NO.
ANGULAR MATCHES 1/8"	DATE	CU-22727-SINK-323622-W
TWO PLACE DECIMALS 0.01"	DATE	REV
THREE PLACE DECIMALS 0.001"	DATE	A-1
	DATE	SCALE 1:12 WEIGHT: SHEET 1 OF 1

Stainless Steel Tall Cabinet

ITEM NO.	PART NUMBER	DESCRIPTION	QTY.
1	CU-51330-TCW-774824	51330-TALL CAB WELDMENT	1
2	CU-51330-SH-2424	51330-SHELF	4
3	CU-51330-TDA-4524RD	51330-TALL DOOR ASSEMBLY	1
4	CU-51330-TDA-4524LD	51330-TALL DOOR ASSEMBLY	1
5	TCWT-12	TALL CASE WALL TIE	2
6	HAF-256 ZC	SHELF CLIP - Z	16
7	CU-51330-TDA-3212RD	51330-TALL DOOR ASSEMBLY	2
8	CU-51330-TDA-3212LD	51330-TALL DOOR ASSEMBLY	2

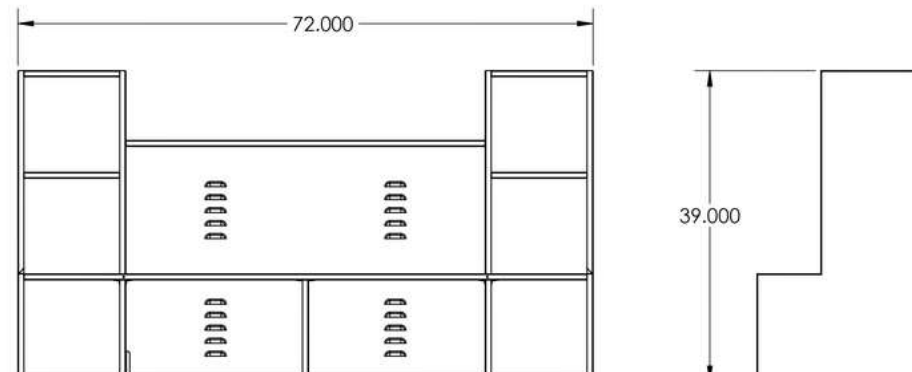
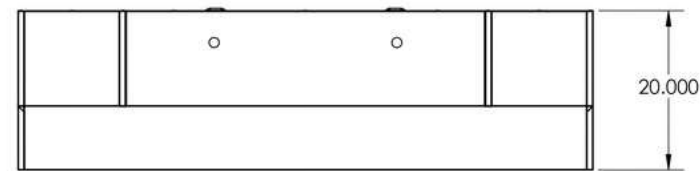


Stainless Steel Wall Cabinet

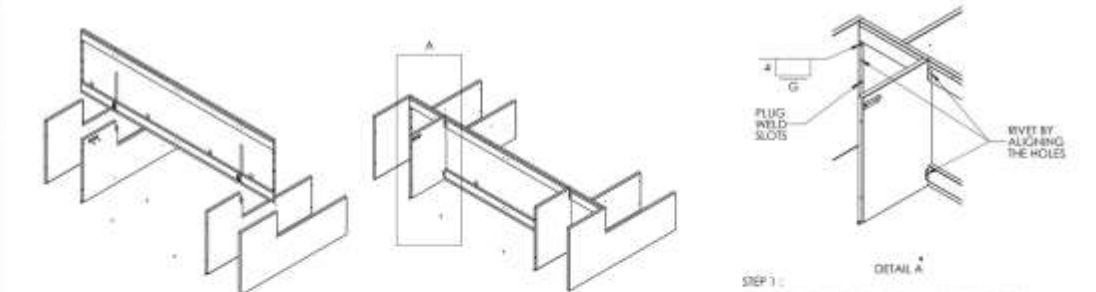
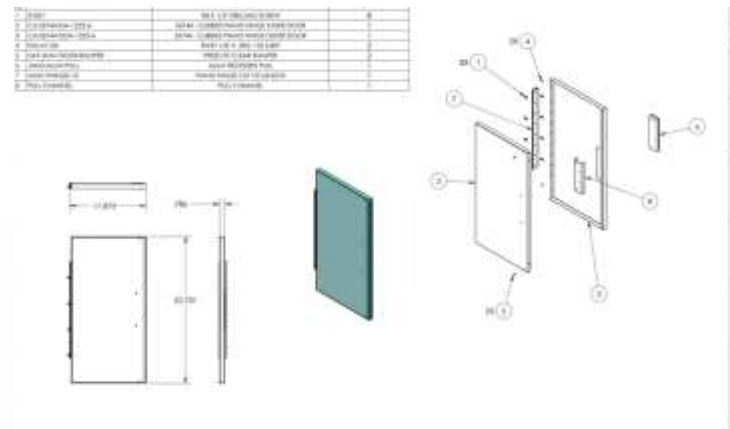
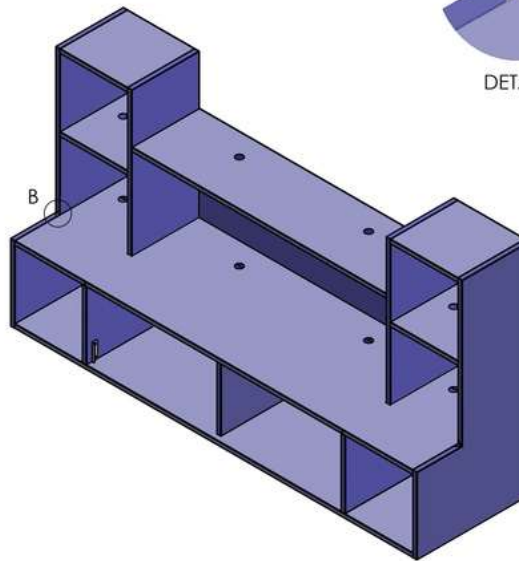
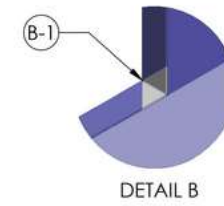
QTY	DESCRIPTION	QTY
2	CU-55744-FDS-03	55744 - FLAPPER DOOR STOP
3	CU-55744-LSW-7220	55744 - CUBBIES LOWER SHELF WELDMENT
4	CU-55744-MSW-7220	55744 - CUBBIES MIDDLE SHELF WELDMENT
5	CU-55744-MVDW-1320	55744 - MIDDLE VERTICAL DIVIDER WELDMENT
6	CU-55744-TS-1212-001	55744 - STEEL SHELF
7	CU-55744-TS-1212-002	55744 - STEEL SHELF
8	CU-55744-TSW-4512	55744 - CUBBIES TOP SHELF WELDMENT
9	CU-55744-VDW-3920-001	55744 - VERTICAL DIVIDER WELDMENT
10	CU-55744-VDW-3920-002	55744 - VERTICAL DIVIDER WELDMENT
11	CU-55744-VMDW-3920-001	55744 - VERTICAL MIDDLE DIVIDER WELDMENT
12	CU-55744-VMDW-3920-002	55744 - VERTICAL MIDDLE DIVIDER WELDMENT
13	FAS-0125879	RIVET, 3/16" X .126-.25

NOTES:

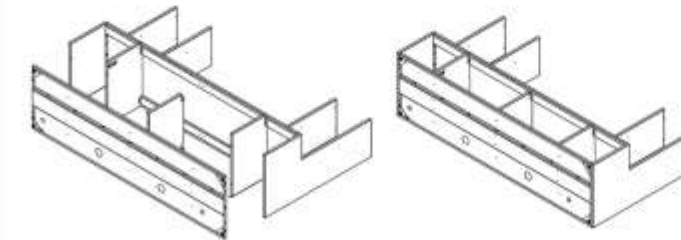
- REFER SHEET 2 FOR EXPLODED VIEW
- REFER SHEET 3 & 4 FOR ASSEMBLY WELDMENT INSTRUCTIONS.



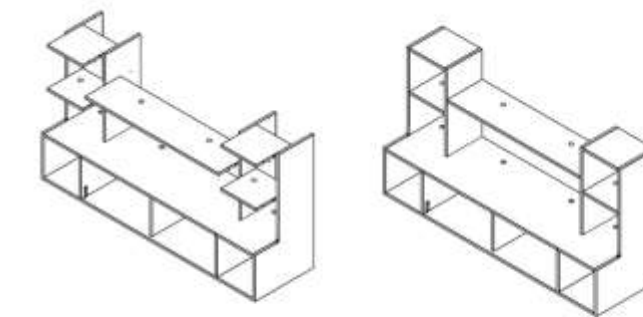
REV	DATE	DESCRIPTION	BY	CHK
D2	B-1	SEE ECO-1806		22-08-2024



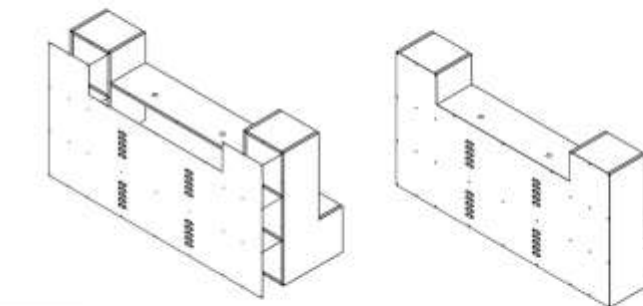
- STEP 1:**
- POSITION THE LONG VERTICAL DIVIDER AS SHOWN BY USING THE MIDDLE SHELF WELDMENT SLOT AND RIVET HOLES FOR PROPER POSITIONING.
 - PLUG WELD THE MIDDLE SHELF WELDMENT TO THE VERTICAL DIVIDERS ON THE SIDES. ALSO ALIGN AND RIVET THE DOOR STOPPER FOR THE FLAPPER DOOR.



- STEP 2:**
- FOLLOW THE SAME PROCEDURE AS STEP-1 FOR ASSEMBLING MIDDLE DIVIDER WELDMENT AND LOWER SHELF WELDMENT.
 - POSITION THE MIDDLE VERTICAL DIVIDER AS SHOWN BY USING THE MIDDLE SHELF WELDMENT RIVET HOLES.
 - RIVET THE DIVIDERS BY ALIGNING EXISTING RIVET HOLES ON LOWER SHELF WELDMENT AND ALL DIVIDERS.
 - PLUG WELD THE LOWER SHELF WELDMENT TO THE VERTICAL DIVIDERS ON THE SIDES.



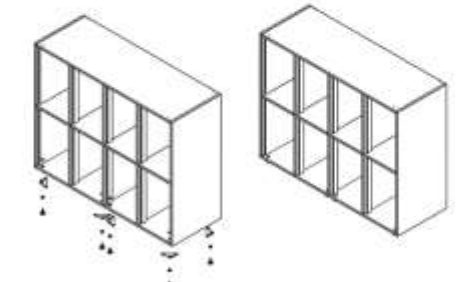
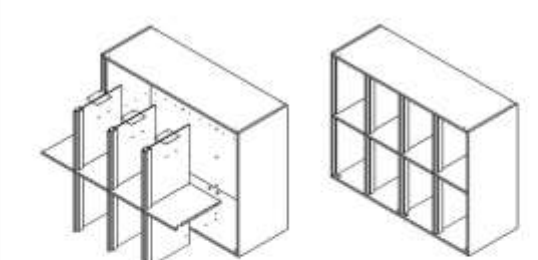
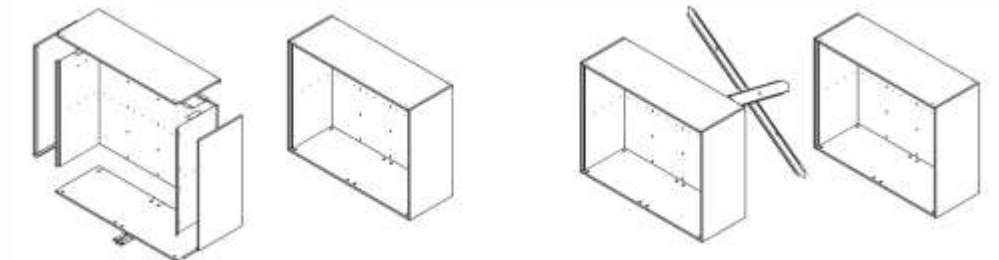
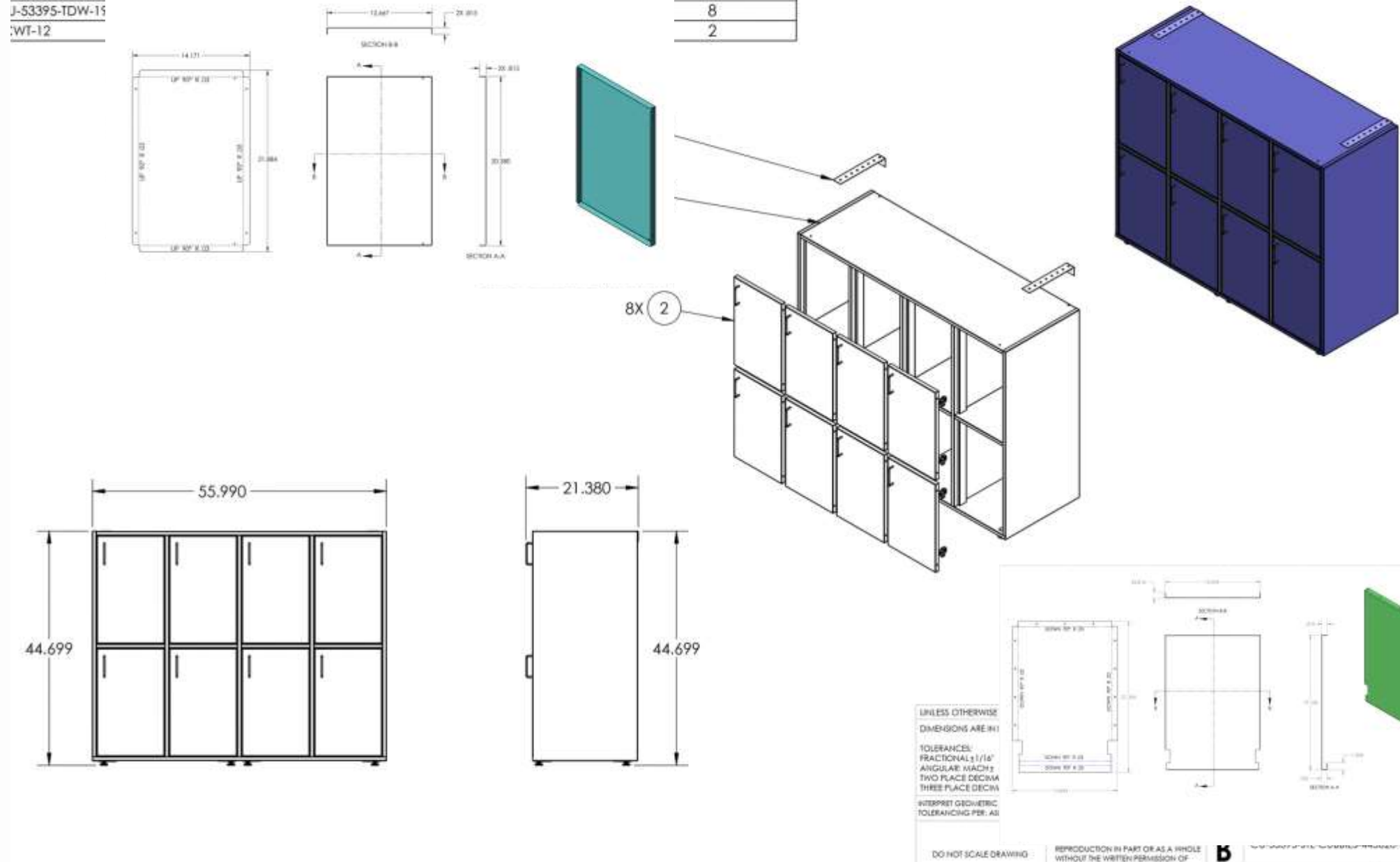
- STEP 3:**
- POSITION THE REMAINING SHELVES AS SHOWN BY USING THE EXISTING RIVET HOLES FOR PROPER POSITIONING ONTO THE LONG VERTICAL DIVIDER WELDMENTS.
 - PLUG WELD IN SLOTS PROVIDED ON THE REMAINING SHELVES, AND FIX IT TO THE LONG VERTICAL DIVIDERS ON THE SIDES.



- STEP 4:**
- USE THE RIVET HOLES TO ALIGN THE FLAT BACK PANEL WITH LOUVERS ON THE BACKSIDE OF THE CUBBIES.

Stainless Steel Cabinet

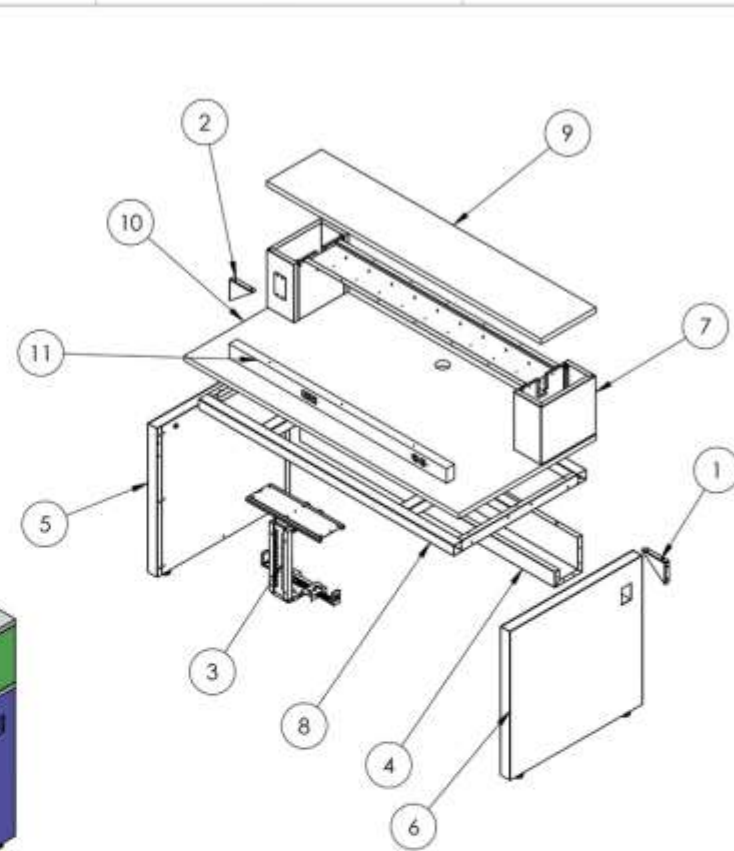
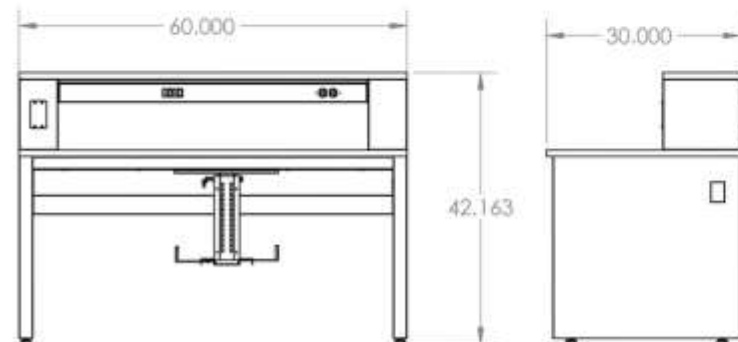
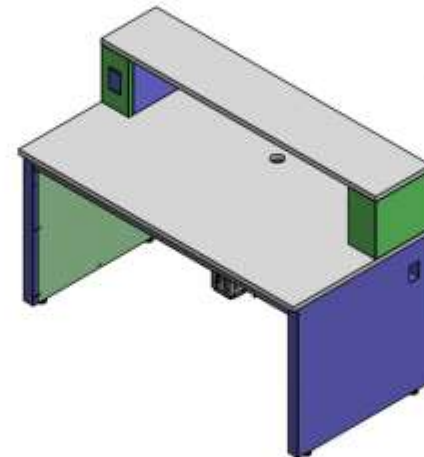
PART NUMBER	DESCRIPTION	QTY.
J-53395-TCW-445620	53395-TALL CAB WELDMENT WITH OUT TOEKICK	1
J-53395-TDW-15		8
WT-12		2



Stainless Steel Work Desk

ITEM NO.	PART NUMBER	DESCRIPTION	QTY.
1	25356-END PANEL GUSSET	25356-END PANEL GUSSET	1
2	25356-END PANEL GUSSET LEFT	25356-END PANEL GUSSET	1
3	CPU HOLDER	CPU HOLDER	1
4	CU-25356-CABLE MANAGEMENT TRAY	25356 - CABLE MANAGEMENT TRAY ASSY	1
5	CU-25356-EPNL-2929-F	25356-END PANEL	1
6	CU-25356-EPNL-2929-R	25356-END PANEL WITH CABLE MANAGEMENT TRAY CUT-OUT RIGHT	1
7	CU-51917-RSS-126012-002	51917-REAGENT SHELVING SYSTEM WITH 7FLEX	1
8	CU-51917-WMT-025629	51917-2 INCH APRON	1
9	PRL1.D : 60x12 G-002	PHENOLIC RESIN LAB GRADE 1.0 GRAY	1
10	PRL1.D : 60x30 G-001	PHENOLIC RESIN LAB GRADE 1.0 GRAY	1
11	RW130-A6 - L	FLEX PG RACEWAY	1

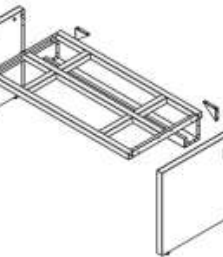
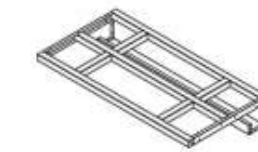
NOTES:
1. RACEWAYS IS ATTACHED TO HAT CHANNEL.



UNLESS OTHERWISE SPECIFIED: DIMENSIONS ARE IN INCHES TOLERANCES: FRACTIONAL ± 1/32" ANGULAR: MACH ± .01° TWO PLACE DECIMAL ± .02" THREE PLACE DECIMAL ± .003"	NAME: _____ DATE: _____	ONEPOINT SOLUTIONS
DO NOT SCALE DRAWING	DRWNG APPE. _____ ENGR APPE. _____ MFG APPE. _____ G.A. _____	TITLE: XXXX
INTERPRET GEOMETRIC TOLERANCING PER: ASME Y14.5	PROPRIETARY AND CONFIDENTIAL THE INFORMATION CONTAINED IN THIS DRAWING IS THE SOLE PROPERTY OF ONEPOINT SOLUTIONS LLC. ANY REPRODUCTION IN PART OR AS A WHOLE WITHOUT THE WRITTEN PERMISSION OF ONEPOINT SOLUTIONS IS PROHIBITED.	SIZE: DWG. NO. BCU-24919-APRON WITH RSS ASSY REV A-1 SCALE: 1:16 WEIGHT: SHEET 1 OF 2



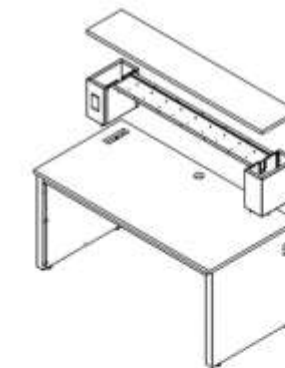
STEP - 1 CABLE MANAGEMENT TRAY IS ASSEMBLED WITH APRON USING SELF TAPPING SCREW.



STEP - 2 END PANEL ASSEMBLED TO THE SIDES USING RIVNUTS AND GUSSETS ATTACHED TO THE APRON AND END PANEL.



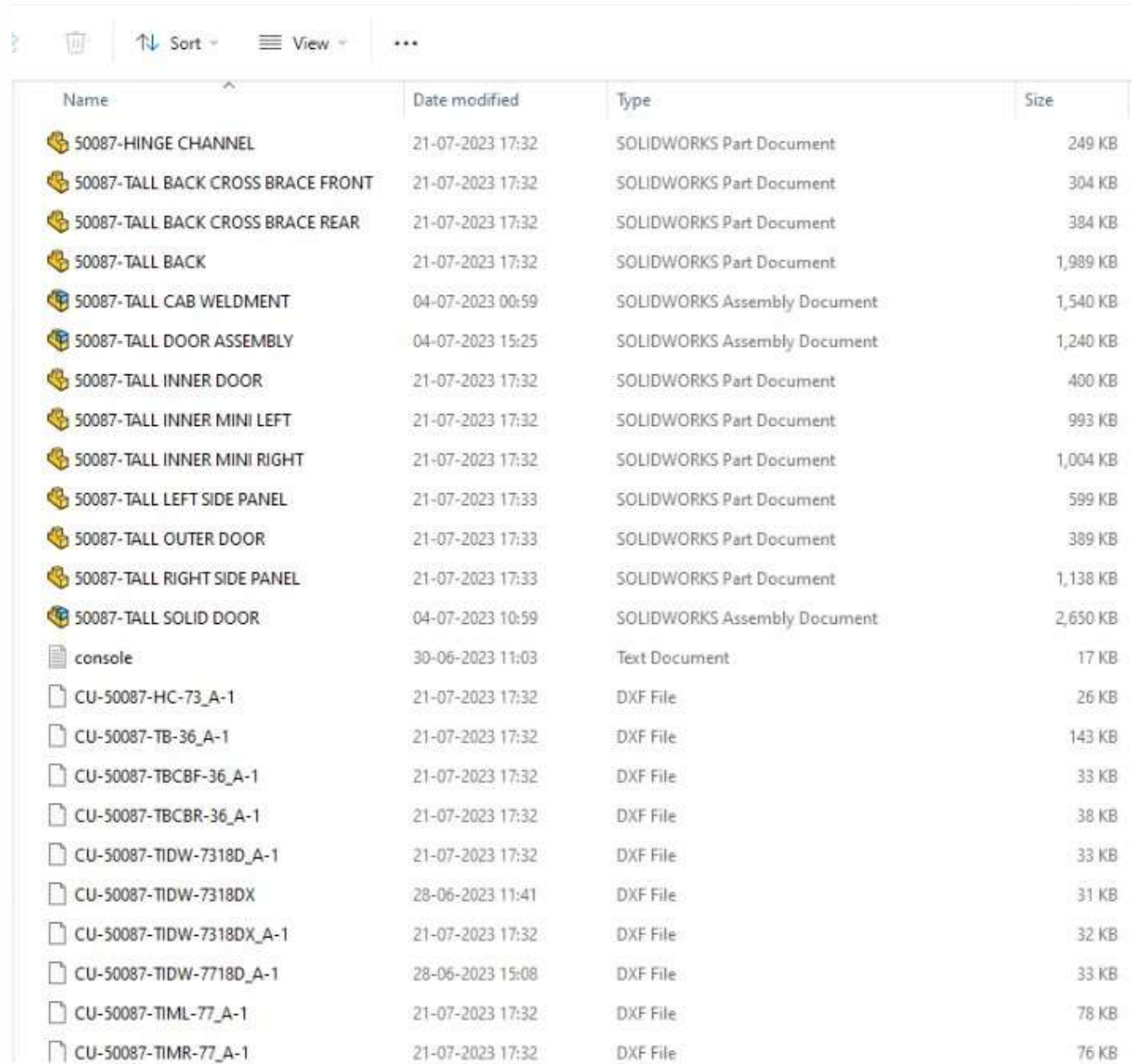
STEP - 3 ADD THE TOP TO THE ASSEMBLED BODY.



STEP - 4 ADD THE RSS ON TOP OF THE ASSEMBLED BODY AND RSS TOP ADD ON RSS BODY.



Sample Documents which we provide to our clients



Name	Date modified	Type	Size
50087-HINGE CHANNEL	21-07-2023 17:32	SOLIDWORKS Part Document	249 KB
50087-TALL BACK CROSS BRACE FRONT	21-07-2023 17:32	SOLIDWORKS Part Document	304 KB
50087-TALL BACK CROSS BRACE REAR	21-07-2023 17:32	SOLIDWORKS Part Document	384 KB
50087-TALL BACK	21-07-2023 17:32	SOLIDWORKS Part Document	1,989 KB
50087-TALL CAB WELDMENT	04-07-2023 00:59	SOLIDWORKS Assembly Document	1,540 KB
50087-TALL DOOR ASSEMBLY	04-07-2023 15:25	SOLIDWORKS Assembly Document	1,240 KB
50087-TALL INNER DOOR	21-07-2023 17:32	SOLIDWORKS Part Document	400 KB
50087-TALL INNER MINI LEFT	21-07-2023 17:32	SOLIDWORKS Part Document	993 KB
50087-TALL INNER MINI RIGHT	21-07-2023 17:32	SOLIDWORKS Part Document	1,004 KB
50087-TALL LEFT SIDE PANEL	21-07-2023 17:33	SOLIDWORKS Part Document	599 KB
50087-TALL OUTER DOOR	21-07-2023 17:33	SOLIDWORKS Part Document	389 KB
50087-TALL RIGHT SIDE PANEL	21-07-2023 17:33	SOLIDWORKS Part Document	1,138 KB
50087-TALL SOLID DOOR	04-07-2023 10:59	SOLIDWORKS Assembly Document	2,650 KB
console	30-06-2023 11:03	Text Document	17 KB
CU-50087-HC-73_A-1	21-07-2023 17:32	DXF File	26 KB
CU-50087-TB-36_A-1	21-07-2023 17:32	DXF File	143 KB
CU-50087-TBCBF-36_A-1	21-07-2023 17:32	DXF File	33 KB
CU-50087-TBCBR-36_A-1	21-07-2023 17:32	DXF File	38 KB
CU-50087-TIDW-7318D_A-1	21-07-2023 17:32	DXF File	33 KB
CU-50087-TIDW-7318DX	28-06-2023 11:41	DXF File	31 KB
CU-50087-TIDW-7318DX_A-1	21-07-2023 17:32	DXF File	32 KB
CU-50087-TIDW-7718D_A-1	28-06-2023 15:08	DXF File	33 KB
CU-50087-TIML-77_A-1	21-07-2023 17:32	DXF File	78 KB
CU-50087-TIMR-77_A-1	21-07-2023 17:32	DXF File	76 KB

- Drawing PDF
- DXF Files
- Step Files
- Production BOM
- Production Packet
- SolidWorks Drawing
- SolidWorks Models



Types of furniture

Industrial Furniture

- Industrial Work Bench
- ESD Work Bench
- IT/LAN Work Bench
- Custom Industrial Work Bench
- Stainless Steel Base cabinet
- Stainless Steel Sink Cabinet
- Stainless Steel Wall Cabinet
- Welding Table
- Industrial Storage

Lab Furniture

- Lab Tables
- Lab Casework
- Stainless Steel Countertops
- Shelves
- Steel Cabinets

Commercial Furniture

- Commercial Cabinets
- Commercial Countertops
- Commercial Kitchen
- Office Desks
- Stainless Steel casework for classroom
- Demountable wall System

We are willing to explore new avenues in the sheet metal furniture industry, so please inform us if you have any other custom requirements.



THANK YOU!



 +91 84602 55923

 contact@immersivtech.com

 B-418, Monarch, Gaurav Path, Pal
Surat, Gujarat

